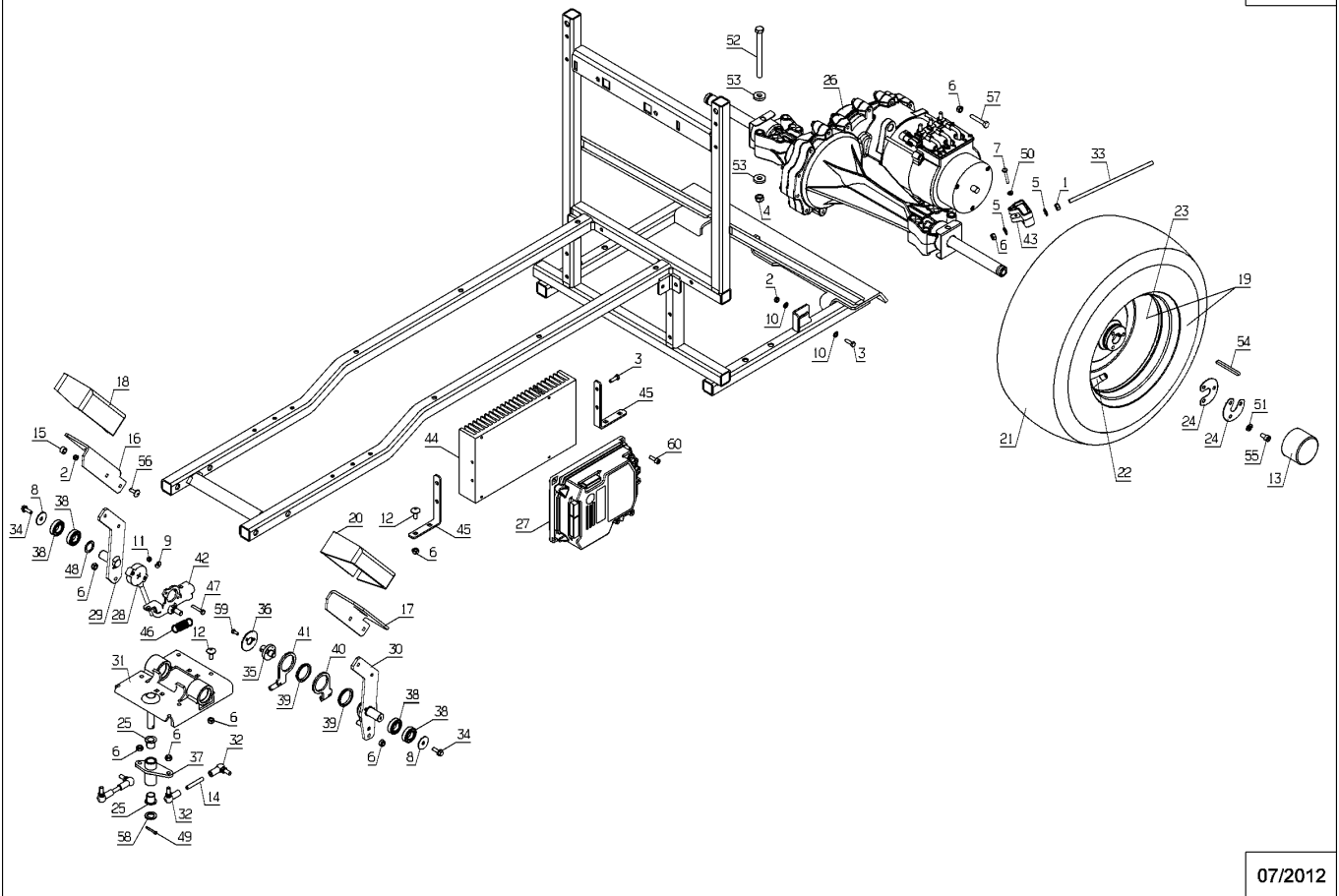




Number	Part Number	Name	Quantity
1	71343	SPRING WASHER A8	1,000
2	71205	SCREW M8	1,000
3	2235	WASHER A6.4	1,000
4	71201	NUT M6	1,000
5	5602	ANNEAU TRUARC	1,000
6	7035	FLAT WASHER	1,000
7	7330	WASHER	1,000
8	71413	SCREW HM 8-20	1,000
9	9017	NUT HM10	1,000
10	9061	BOLT 8X30	1,000
11	9071	SCREW M8X20	1,000
12	20021	WASHER 8,5X40X4	1,000
13	20602	KEY 5X5X25	1,000
14	21525	NUT HM4	1,000
15	21608	SCREW 6X16 DIN	1,000
16	24684	TRUARC RING	1,000
17	25711	STRAP	1,000
18	26157	SET OF 8 SHEARBOLTS	1,000
19	26357	100 SHEAR BOLTS	1,000
20	28040	CUTTING HEIGHT STOP	1,000
21	28047	STEER. KNUCKLE M10	1,000
22	28113	INTERMEDIATE ROD	1,000
23	28118	CUT.HEIGHT LEVER HA	1,000
24	37412	M2E CONTROL ROD	1,000
25	28123	ROLLER	1,000
26	28208	SHAFT	1,000
27	28230	OBSERVATION FLAP	1,000
28	28231	FLAP SHAFT	1,000
29	28233	OBSERVAT.FLAP SUPP.	1,000
30	28238	BLADE WASHER	1,000
31	28245	FLAP SPRING	1,000
32	28288	FLAP HANDLE	1,000
33	28315	FR.ROLLER SHAFT 96	1,000
34	28316	REAR ROLLER SHAFT96	1,000
35	28405	CUTTING DECK NAKED	1,000
36	28419	CUTT.HEIGHT FR.ARM	1,000
37	28489	BLADE WING KIT	1,000
38	28720	FRONT LEFT BRACKET	1,000
39	28721	FRONT RIGHT BRACKET	1,000
40	28722	REAR BRACKET	1,000
41	35468	ELEC. MOTOR PMS 120	1,000

Number	Part Number	Name	Quantity
42	35500	ABSORBER STRAP	1,000
43	36219	REAR CUT.HGT ARM	1,000
44	36292	LEVER	1,000
45	37072	SCREW HC M4-20 10.9	1,000
46	37073	NUT	1,000
47	37074	CLAMP	1,000
48	37085	CLAMP HOOK	1,000
49	37561	NUT	1,000
50	37665	WASHER	1,000
51	37866	WELDED FLANGE	1,000
52	38261	VARIATOR PMS 120	1,000
53	38649	GAS JACK	1,000
54	39469	EJECTION CHANNEL	1,000
55	39726	LEVER	1,000
56	41437	CAP 22X2,5	1,000
57	50031	PLUG G1/2	1,000
58	71079	YOKE DIN 71751 6X34	1,000
59	71110	HEXAGON SCREW,DIN 9	1,000
60	71113	NAIL RIVET, DIA. 4X	1,000
61	71161	BOLT CHC M6X25	1,000
62	71186	STUD 6X24	1,000
63	71231	SCREW JM5-16	1,000
64	71372	IN.HEX.SCREW M8X16	1,000
66	MZ80	BLADE FOR 80 CM	1,000
67	28420	BLADE COUPLING	1,000
68	22029	FLAT WASHER 6,5	1,000
69	50619	OBSERVATION FLAP	1,000
70	50672	OBSERVAT.FLAP FIX.	1,000
71	50634	CLOSE BUTTOM	1,000
72	1559	RING TRUARC 10	1,000

PL01974

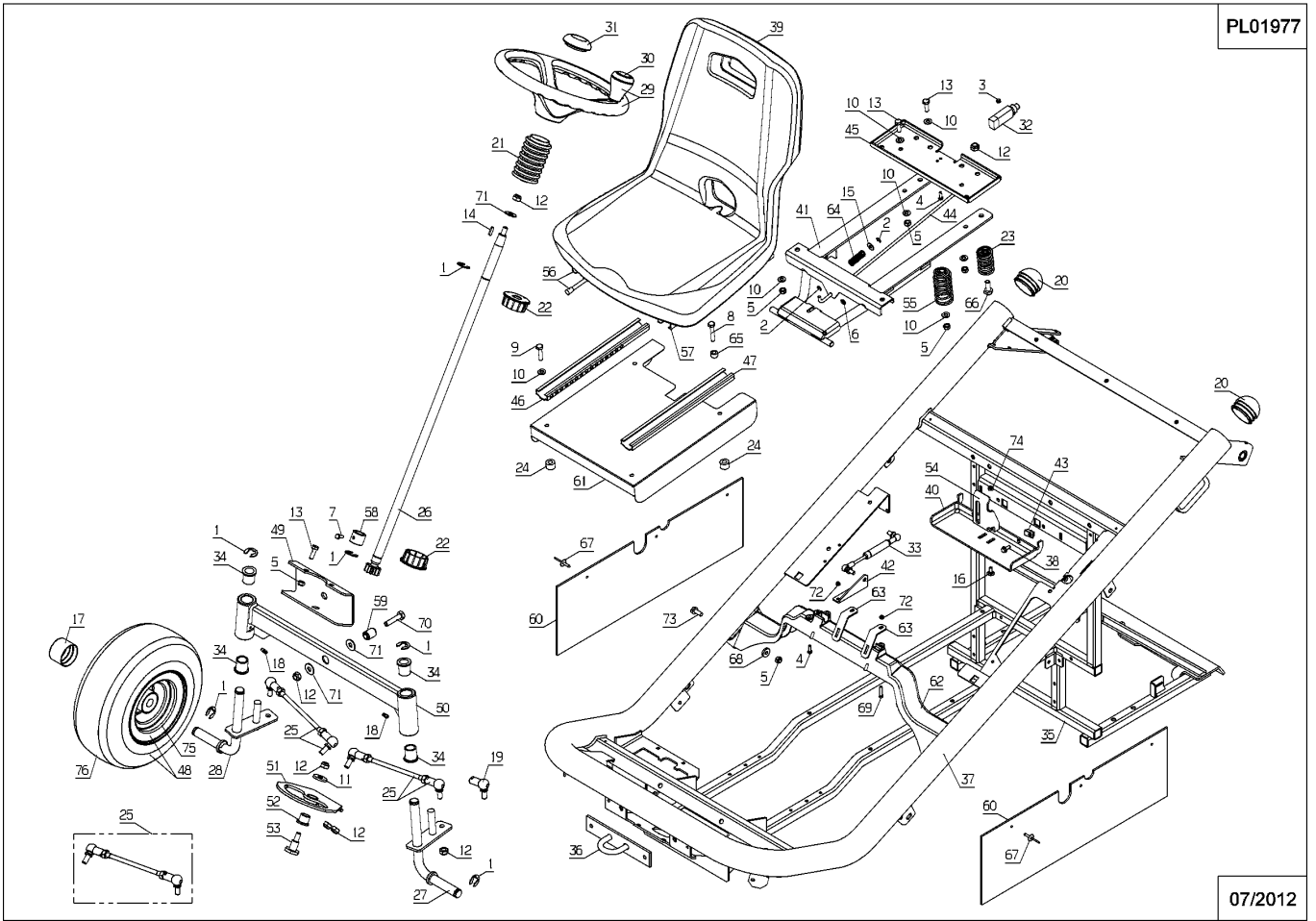


07/2012

Number	Part Number	Name	Quantity
1	1557	NUT HM6	1,000
2	37561	NUT	1,000
3	2009	BOLT M5X16	1,000
4	71205	SCREW M8	1,000
5	2235	WASHER A6.4	1,000
6	71201	NUT M6	1,000
7	5486	BOLT HM 4X30	1,000
8	5604	WASHER	1,000
9	7094	FLAT WASHER	1,000
10	20564	WASHER 5,5	1,000
11	21525	NUT HM4	1,000
12	21608	SCREW 6X16 DIN	1,000
13	25176	WHEEL CAP	1,000
14	25283	THREADED PIN M6	1,000
15	25900	PROTECTIVE COWL	1,000
16	28131	FORWARD PEDAL	1,000
17	28139	REVERSE PEDAL	1,000
18	28167	COVERING FORW.PEDAL	1,000
19	28186	REAR WHEEL GR. S/N	1,000
20	28188	COVERING REV. PEDAL	1,000
21	28351	TYRE SO/NAT	1,000
22	28353	INNER TUBE REAR	1,000
23	28355	REAR RIM GR. S	1,000
24	52175	SECURING RING	1,000
25	28555	SLEEVE 12/14/15	1,000
26	35174	ELEC. MOTOR TA HG	1,000
27	35470	VARIATOR TA HG	1,000
28	35725	HALL EFFECT SENSOR	1,000
29	35827	PEDAL	1,000
30	35828	PEDAL	1,000
31	37229	PLATE	1,000
32	37400	KNOB M6	1,000
33	37636	BY-PASS ROD	1,000
34	37996	SCREW HM5-16 8.8	1,000
35	38684	MAGNET. BRACKET	1,000
36	38690	WASHER	1,000
37	38866	CONTROL BRACKET	1,000
38	39384	BALL BEARING 6902	1,000
39	39385	PLAST. BUSH	1,000
40	39386	LEVER	1,000
41	39388	LEVER	1,000

Number	Part Number	Name	Quantity
42	39872	SENSOR BRACKET	1,000
43	39909	BY-PASS CAM	1,000
44	39991	DISSIPATER	1,000
45	39992	BRACKET	1,000
46	41061	TENSION SPRING	1,000
47	50005	SCREW HM4-25	1,000
48	71016	WASHER 16X22X1	1,000
49	71018	V3,2 SPLIT PIN	1,000
50	71024	WASHER PL A 4,3	1,000
51	71049	SPRING WASHER,DIN 1	1,000
52	71124	HEXAG.SCREW HM8X100	1,000
53	71126	FLAT WASHER,DIN 734	1,000
54	71418	KEY 4,76X4,76X75	1,000
55	71355	HEX.SCREW M6X10	1,000
56	71231	SCREW JM5-16	1,000
57	71259	SCREW HM6X35	1,000
58	71336	WASHER 13X20X2	1,000
59	71352	SCREW M4X10	1,000
60	71370	HEX.SCREW M5X16	1,000

PL01977

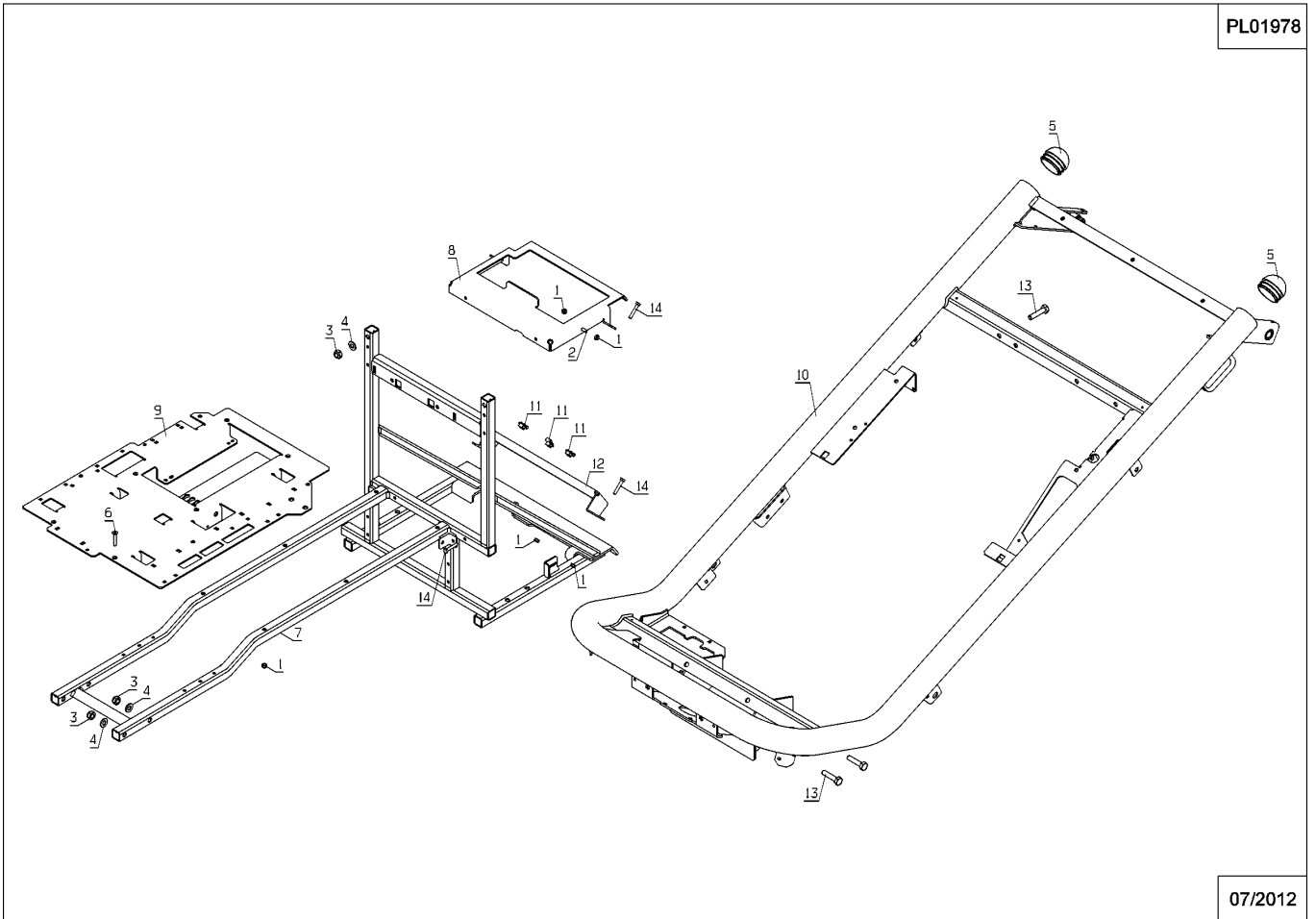


07/2012

Number	Part Number	Name	Quantity
1	1513	CIRCLIP 15	1,000
2	1540	CIRCLIP 5	1,000
3	37561	NUT	1,000
4	2009	BOLT M5X16	1,000
5	71205	SCREW M8	1,000
6	2235	WASHER A6.4	1,000
7	37997	SCREW HM6-16 8.8	1,000
8	5340	HEXAGON SCREW,DIN 9	1,000
9	7038	SCREW,DIN933 H M 8X	1,000
10	7335	WASHER	1,000
11	9009	WASHER	1,000
12	9017	NUT HM10	1,000
13	9056	BOLT 8X25	1,000
14	20606	KEY 5X5X20	1,000
15	21270	WASHER 6,4	1,000
16	21608	SCREW 6X16 DIN	1,000
17	25176	WHEEL CAP	1,000
18	25301	RH STD "HYDRAULIC"	1,000
19	28047	STEER. KNUCKLE M10	1,000
20	28056	TUBE CAP 60	1,000
21	28110	BELLOWS	1,000
22	28111	CONSOLE GUIDE RING	1,000
23	28112	SEAT SPRING	1,000
24	28296	SPACER	1,000
25	28536	STEERING ROD	1,000
26	28679	STEERING COLUMN	1,000
27	28718	LEFT STUB AXLE	1,000
28	28719	RIGHT STUB AXLE	1,000
29	29900	STEERING WHEEL	1,000
30	29923	STEERING WHEEL GAIT	1,000
31	29978	STEERING WHEEL CAP	1,000
32	31405	SWITCH	1,000
33	32015	COVER JACK	1,000
34	35412	BEARING 20/26/30	1,000
35	36283	FRAME	1,000
36	37289	HOOK	1,000
37	37897	FRAME	1,000
39	38057	SEAT	1,000
40	38255	BRACKET	1,000
41	38258	SEAT BRACKET	1,000
42	38259	GUIDE	1,000

Number	Part Number	Name	Quantity
43	38540	CLIP NUT M6	1,000
44	38676	CROTCH	1,000
45	38681	PLATE	1,000
46	38746	SEAT GUIDE RIGHT	1,000
47	38747	SEAT GUIDE LEFT	1,000
48	38789	WHEEL	1,000
49	38826	BRACKET	1,000
50	38852	AXLE	1,000
51	38853	CROWN	1,000
52	38859	BEARING	1,000
53	38860	AXLE	1,000
54	38983	SEAT SWITCH STOP	1,000
55	39227	SPRING	1,000
56	39274	39274	1,000
57	39275	39275	1,000
58	39589	STEERING STOP	1,000
59	39638	SPACER	1,000
60	39648	FLAPPER	1,000
61	39667	PLATE	1,000
62	39751	CROSSHEAD	1,000
63	39752	CARRIER STRAP	1,000
64	40588	SPRING	1,000
65	42043	BUSH 15X8,5X10	1,000
66	70086	HEXAGON SCREW,DIN 9	1,000
67	71083	RIVET CLOU 4,8X20,5	1,000
68	71126	FLAT WASHER,DIN 734	1,000
69	71135	SCREW 5X25	1,000
70	71198	HEX.SCREW HM10X45	1,000
71	71238	WASHER A10,2	1,000
72	71308	LOCK NUT M5	1,000
73	71413	SCREW HM 8-20	1,000
74	71201	NUT M6	1,000
75	38813	FRONT RIM 3,5X6 GR.	1,000
76	28733	FRONT TYRE	1,000

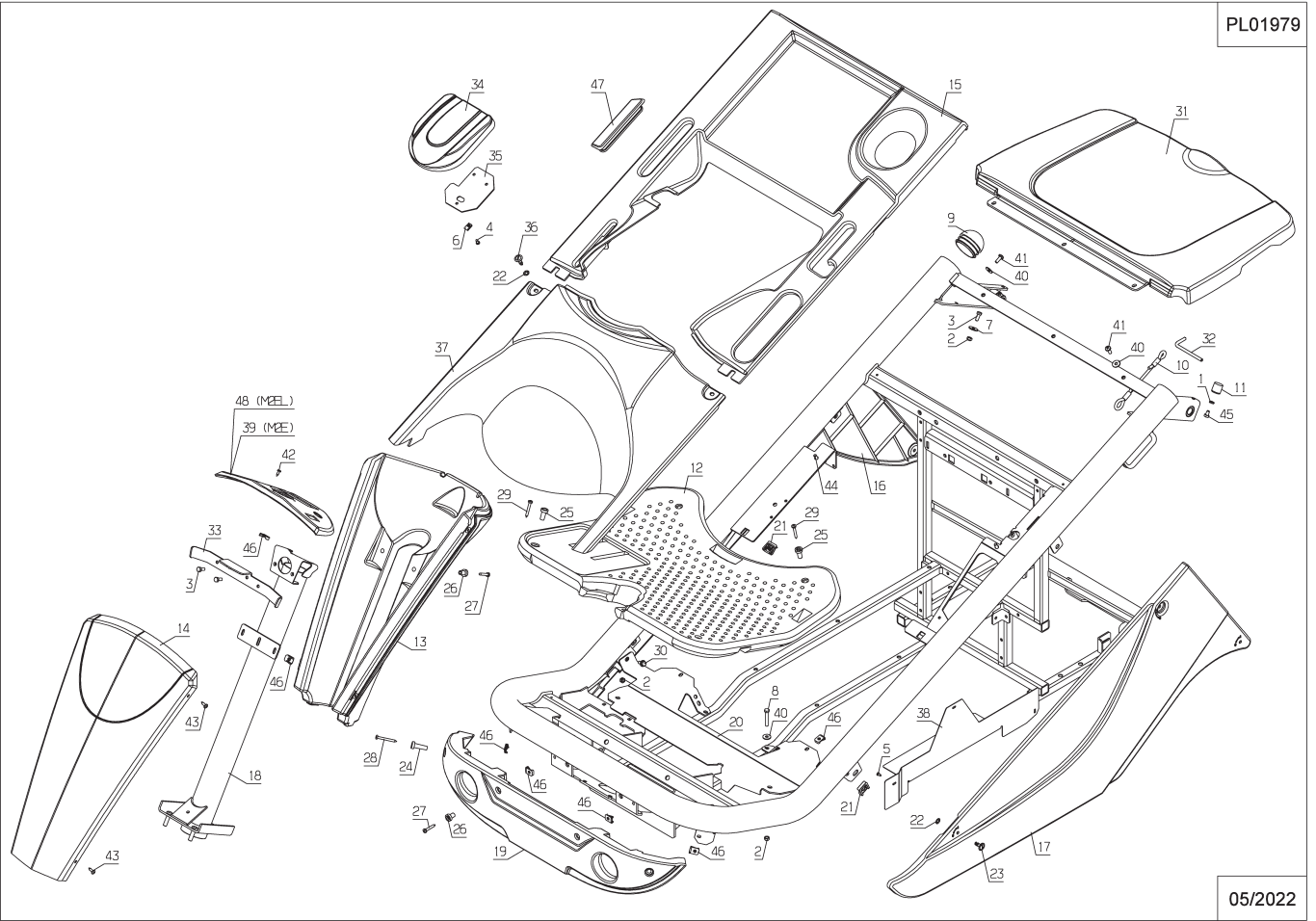
PL01978



07/2012

Number	Part Number	Name	Quantity
1	71201	NUT M6	1,000
2	37997	SCREW HM6-16 8.8	1,000
3	9017	NUT HM10	1,000
4	21036	FLAT WASHER 10.5	1,000
5	28056	TUBE CAP 60	1,000
6	35171	SCREW	1,000
7	36283	FRAME	1,000
8	36575	PLATE	1,000
9	37286	PLATE	1,000
10	37897	FRAME	1,000
11	38540	CLIP NUT M6	1,000
12	38571	CROSSHEAD	1,000
13	71198	HEX.SCREW HM10X45	1,000
14	71259	SCREW HM6X35	1,000

PL01979

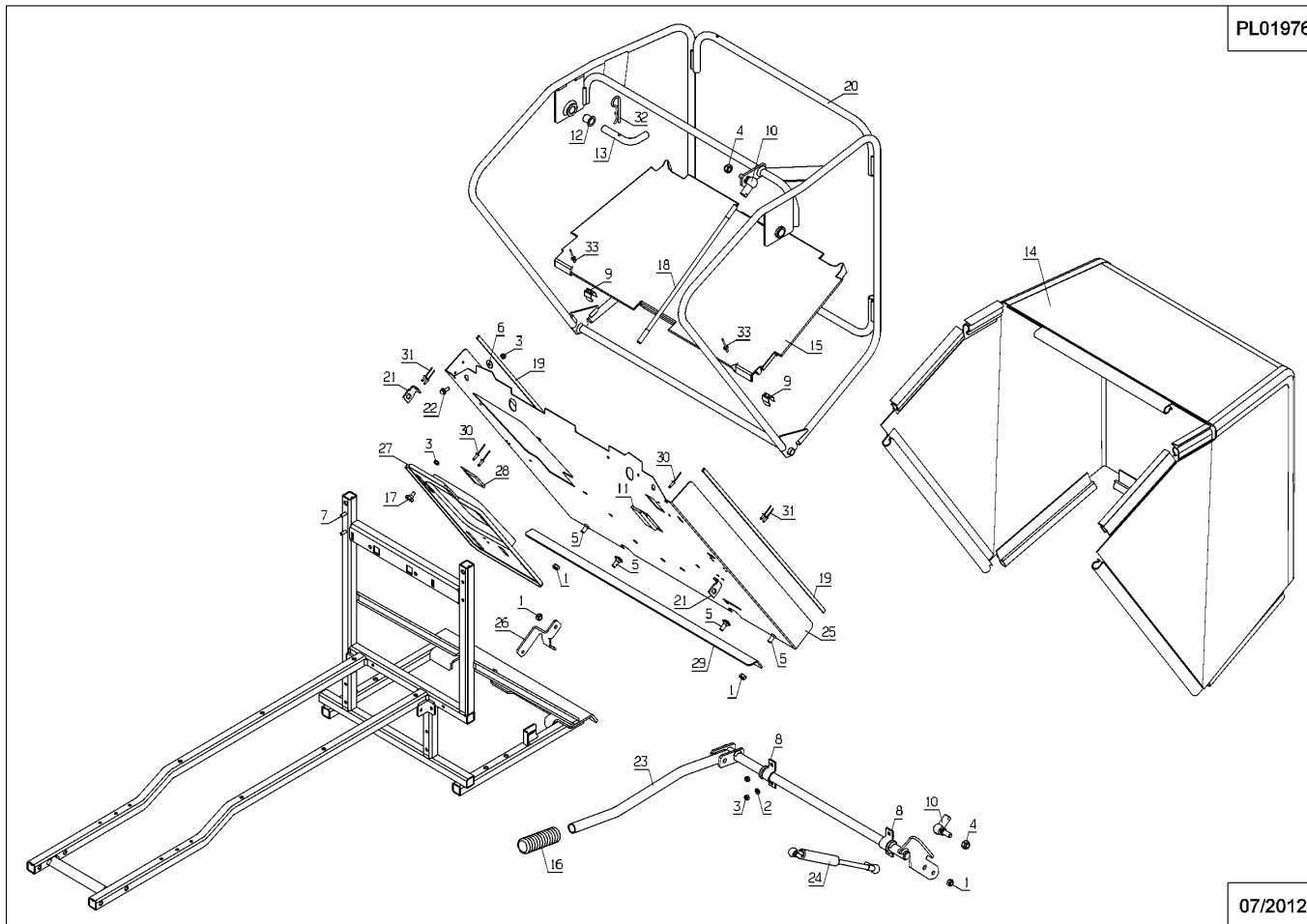


05/2022

Number	Part Number	Name	Quantity
1	71049	SPRING WASHER,DIN 1	1,000
2	71201	NUT M6	1,000
3	37997	SCREW HM6-16 8.8	1,000
4	6187	SCREW	1,000
5	71048	BOLT EJ.PT KA40X10	1,000
6	21436	CLIPS NUT	1,000
7	22029	FLAT WASHER 6,5	1,000
8	22456	SCREW HM 6X40	1,000
9	28056	TUBE CAP 60	1,000
10	28239	COVER BAND	1,000
11	29783	RUBBER STOP	1,000
12	36716	FLOOR	1,000
13	36719	CONSOLE	1,000
14	36722	REAR CONSOLE WHITE	1,000
15	36723	REAR COVER WHITE	1,000
16	36726	RIGHT SIDE COVER WH	1,000
17	36727	LEFT SIDE COVER WHI	1,000
18	36842	STEERING CONS.CPL.G	1,000
19	37328	STEERINGCOVER BLACK	1,000
20	37339	BRACKET	1,000
21	37499	1/4 ROTATION LOCK	1,000
22	37500	1/4 ROTATION WASHER	1,000
23	37501	1/4 ROTATION SCREW	1,000
24	37796	BUSH LG 29.7	1,000
25	37797	BUSH LG 20	1,000
26	37798	BUSH LG 13	1,000
27	37836	SCREW ST4.8-32,C	1,000
28	37837	SCREW ST4.8-45,C	1,000
29	37901	SCREW ST4.8-38,C	1,000
31	38044	GRASSBOX COVER WHIT	1,000
32	38071	ROD	1,000
33	38422	REINFORCING PLATE	1,000
34	38872	ELEC. INSERT	1,000
35	38969	BRACKET	1,000
36	39230	LOCK 1/4 ROTATION	1,000
37	50039	CPLT COVER WHITE	1,000
38	50101	PLATE	1,000
39	50224	DASHBOARD M2E	1,000
40	71096	WASHER B6,4	1,000
42	71111	TAPPING SCREW,DIN 7	1,000
44	71277	SCREW 60X12	1,000

Number	Part Number	Name	Quantity
45	71355	HEX.SCREW M6X10	1,000
46	71459	NUT	1,000
47	38424	PLUG	1,000
48	55574	DASH BOARD M2EL	1,000

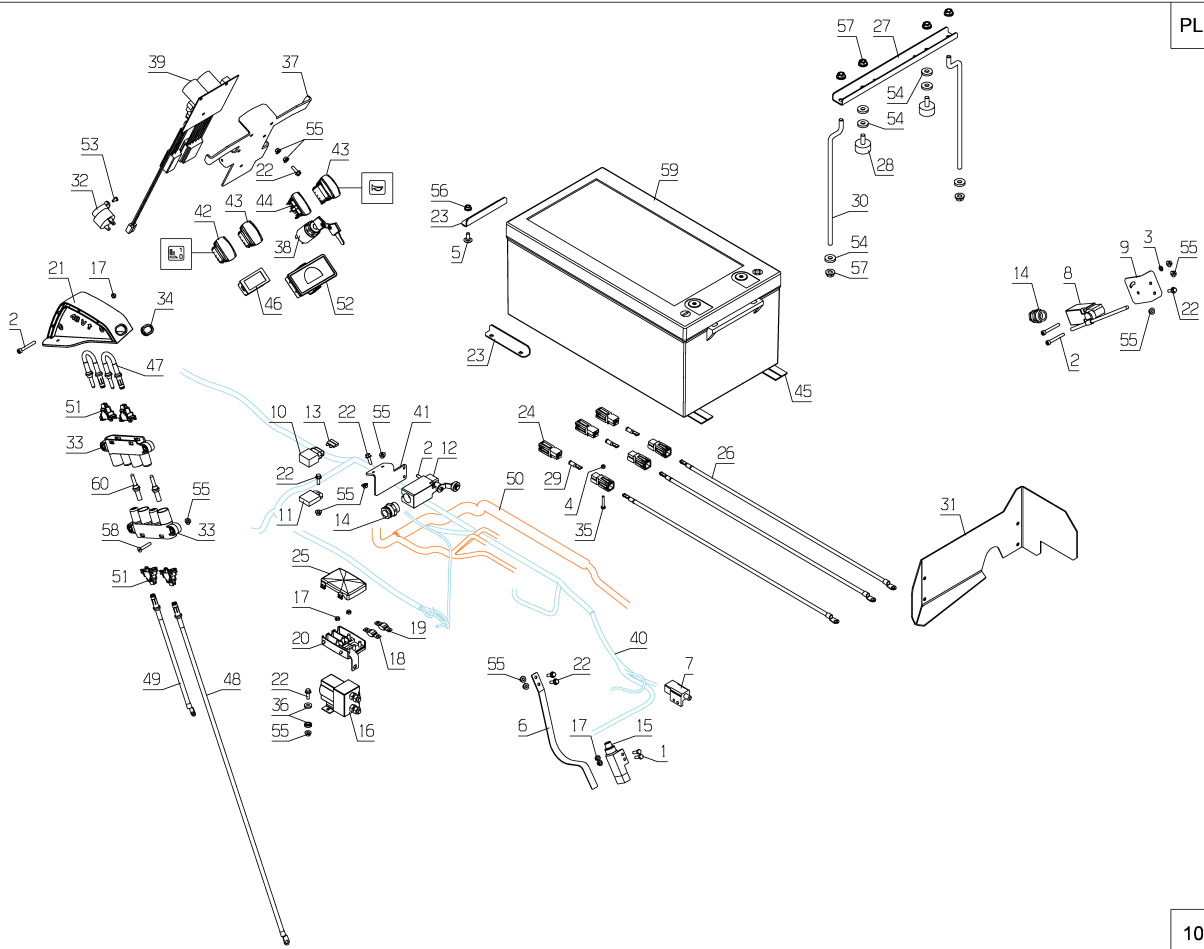
PL01976



07/2012

Number	Part Number	Name	Quantity
1	71205	SCREW M8	1,000
2	2235	WASHER A6.4	1,000
3	71201	NUT M6	1,000
4	9017	NUT HM10	1,000
5	9071	SCREW M8X20	1,000
6	21270	WASHER 6,4	1,000
7	22456	SCREW HM 6X40	1,000
8	25711	STRAP	1,000
9	25886	17/20 CUP	1,000
10	28047	STEER. KNUCKLE M10	1,000
11	28068	COLLECTOR BRUSH	1,000
12	28070	SLEEVE 15/17/20	1,000
13	28082	LINK AXLE	1,000
14	28087	BAG	1,000
15	28095	COLLECTOR BOTTOM	1,000
16	28118	CUT.HEIGHT LEVER HA	1,000
17	28137	CATCH BOLT SP.SCREW	1,000
18	28168	RETURNING ROD	1,000
19	28254	PROTECT.COATING 690	1,000
20	28408	COLLECTOR FRAME	1,000
21	37621	FIXING COVERING	1,000
22	37997	SCREW HM6-16 8.8	1,000
23	38173	LEVER	1,000
24	38189	GAS JACK	1,000
25	38190	PLATE	1,000
26	38263	BRACKET	1,000
27	38527	CHANNEL GUIDE	1,000
28	38528	BRUSH	1,000
29	39934	REINFORCING PLATE	1,000
30	71113	NAIL RIVET, DIA. 4X	1,000
31	71114	ALUMINUM NAIL RIVET	1,000
32	71228	BETA PIN 4	1,000
33	71241	NAIL RIVET 4,8X10,5	1,000

PL02693



10/2022

Number	Part Number	Name	Quantity
1	2009	BOLT M5X16	1,000
2	5399	BOLT M5X40	1,000
3	20564	WASHER 5,5	1,000
4	21525	NUT HM4	1,000
5	21608	SCREW 6X16 DIN	1,000
6	28073	COLLECTOR SWITCH PL	1,000
7	28159	SWITCH	1,000
8	28210	BUZZER SWITCH	1,000
9	28211	BUZZER SWITCH SUPP.	1,000
10	28582	PLUG FUSE HOLDER	1,000
11	28594	BRACKET	1,000
12	29257	SAFETY SWITCH	1,000
13	29643	FUSE 15A 12V	1,000
14	29789	CONTACTOR GROMMET	1,000
15	31405	SWITCH	1,000
16	35473	POWER RELAY	1,000
17	37561	NUT	1,000
18	37719	FUSE 70A	1,000
19	37723	FUSE 100A	1,000
20	37724	FUSE HOLDER	1,000
21	37928	GRIP	1,000
22	37996	SCREW HM5-16 8.8	1,000
23	38339	STOP	1,000
24	38785	CONNECTOR 75A	1,000
25	38947	COVER	1,000
26	38963	CABLE	1,000
27	38980	BATTERY HOLDER	1,000
28	38989	ELAST. BOLT	1,000
29	39005	THIMBLE 75A	1,000
30	39007	ROD	1,000
31	39507	PLATE	1,000
32	39587	BUZZER	1,000
33	39756	CONNECTOR 48V	1,000
34	39947	RUBBER GROMMET	1,000
35	50005	SCREW HM4-25	1,000
36	50012	SPACER	1,000
37	50102	PLATE	1,000
38	50781	IGNITION SWITCH	1,000
39	51695	ELEC.MODUL	1,000
41	51698	SEAT SWITCH BRACKET	1,000
42	52494	SWITCH	1,000

Number	Part Number	Name	Quantity
43	52495	SWITCH ON/OFF/ON	1,000
44	52505	FRAME CONVER	1,000
45	54595	RUBBER STRIP	1,000
46	54903	BATTERY INDICATOR	1,000
47	55533	CABLE	1,000
48	55536	CABLE+	1,000
49	55537	CABLE-	1,000
50	55538	ELECTRICAL WIRING	1,000
51	55539	THIMBLE STOP	1,000
52	55575	INDICATOR	1,000
53	71048	BOLT EJ.PT KA40X10	1,000
54	71126	FLAT WASHER,DIN 734	1,000
55	71200	SCREW M5	1,000
56	71201	NUT M6	1,000
57	71205	SCREW M8	1,000
58	71409	SCREW FHC/90 M5-30	1,000
59	BA2EL	BATT.LITH.M2EL	1,000
60	55534	MALE THIMBLE 16MM	1,000